



10 Gauge Autoloading Shotgun

GOLD® 10

IMPORTANT: When ordering, list part number, part name, gun gauge/caliber and serial number. Please specify grade.
Prices F.O.B. point of shipment — subject to change without notice. Prices effective January 1, 2013.

REF. NO.	PART NO.	DESCRIPTION	MSRP (US\$)
1	* B1115004	BARREL EXTENSION	\$147.25
2	* B1115008	BOLT, HIGH POLISH	107.00
2	* B1115323	BOLT, MATTE BLACK	107.00
3	* B1115010	BOLT ASSEMBLY, HIGH POLISH	164.00
3	* B1115324	BOLT ASSEMBLY, MATTE BLACK	164.00
4	B1115014	BOLT CUT-OFF	8.75
5	B1115016	BOLT CUT-OFF RETAINING PIN	1.75
6	B1115020	BOLT CUT-OFF SPRING	1.00
7	B1115023	BOLT HANDLE, MATTE BLACK	20.25
7	B1115024	BOLT HANDLE, HIGH POLISH	20.25
8	B1115028	BOLT HANDLE RETAINER	3.00
9	B1115032	BOLT HANDLE RETAINER PIN	1.00
10	B1115036	BOLT HANDLE RETAINER SPRING	1.00
11	B1115040	BOLT SLIDE, HIGH POLISH	133.75
11	B1115325	BOLT SLIDE, MATTE BLACK	126.50
12	B1115044	BOLT SLIDE LINK	43.00
13	B1115048	BOLT SLIDE LINK PIN	2.25
14	B1115052	BOLT UNLOCKING PIN	2.50
15	B1115055	BUFFER ASSEMBLY	46.00
16	B1115058	BUFFER	5.00
17	B1115060	BUFFER PLATE ASSEMBLY	23.50
18	B1115062	BUFFER PLATE	12.25
19	B1115065	BUFFER PLATE PIN	3.75
20	B1115068	BUFFER PLATE TOP PIN	3.75
22	* B1115082	CARRIER ASSEMBLY, HIGH POLISH	74.75
22	* B1115327	CARRIER ASSEMBLY, MATTE BLACK	74.75
23	* B1115080	CARRIER, HIGH POLISH	44.75
23	* B1115337	CARRIER, MATTE BLACK	44.75
24	* B1115084	CARRIER LATCH	32.25
25	* B1115091	CARRIER LATCH SCREW PIN, (94)	4.25
26	* B1115096	CARRIER LATCH SPRING, INNER	6.75
27	* B1115100	CARRIER LATCH SPRING, OUTER	1.00
28	B1115105	CARRIER PAWL	27.25
29	B1115108	CARRIER PAWL PIN	2.25
31	B1115116	CARRIER SPRING	1.75
32	B1115122	CUT-OFF	23.50
33	B1115126	CUT-OFF SPRING	1.00
34	*** B1115134	DISCONNECTOR ARM	6.25
35	*** B1115130	DISCONNECTOR ASSEMBLY (W/ ARMS)	14.75
35	*** B1115132	DISCONNECTOR	10.50
36	* B1221043	DISCONNECTOR RETAINER	1.00
36A	B1115150	EJECTOR	16.50
37	B1115155	EXTRACTOR, HIGH POLISH	24.25
37	B1115247	EXTRACTOR, MATTE BLACK	24.25
38	B1115159	EXTRACTOR PIN	1.00
39	B1115164	EXTRACTOR SPRING	1.00
40	B1115170	FIRING PIN	14.75
41	B1115174	FIRING PIN RETAINING PIN	1.50
42	B1115178	FIRING PIN SPACER	3.50
43	B1115182	FIRING PIN SPRING	2.25
44	* B1115190	FOREARM, HUNTER	189.25
44	* B1115188	FOREARM, COMPOSITE	60.00
44	* B1115017	FOREARM, MODB (DT)	95.00
44	* B1115474	FOREARM, 10, MOINF (DT)	95.00

REF. NO.	PART NO.	DESCRIPTION	MSRP (US\$)
44	* B1115009	FOREARM, MONBU (DT)	\$95.00
44	* B1115470	FOREARM, MONSG (DT)	95.00
44	* B1115011	FOREARM, MOSG (DT)	95.00
45	B1115195	FOREARM REINFORCING PLATE	6.75
46	B1115199	FOREARM SHOE	6.50
47	B1115202	FOREARM SHOE SET SCREW	1.00
48	* B1115210	GAS BRACKET SEAL	26.25
49	* B1115214	HAMMER	17.75
50	B1115218	HAMMER PIN	2.75
51	B1115221	HAMMER SPRING	3.25
52	B1221082	HAMMER SPRING GUIDE	2.50
53	B1221086	HAMMER SPRING PIN	2.25
54	B1221407	MAGAZINE SPRING RETAINER	1.25
55	B1115240	MAGAZINE CAP, HIGH POLISH (W/ SLING EYELET)	18.25
55	B1115252	MAGAZINE CAP, MODB (W/ SLING EYELET)	28.75
55	B1115476	MAGAZINE CAP, MOINF (W/ SLING EYELET)	31.00
55	B1115253	MAGAZINE CAP, MONBU (W/ SLING EYELET)	28.75
55	B1115471	MAGAZINE CAP, MONSG (W/ SLING EYELET)	28.75
56	B1115242	MAGAZINE FOLLOWER	3.00
57	B1115246	MAGAZINE SPRING	13.00
58	B1115255	MAGAZINE THREE SHOT ADAPTOR	5.50
59	B1115260	MAGAZINE TUBE	76.00
60	B1115264	PISTON	20.25
61	B1115269	PISTON RING	13.00
62	B1115274	PISTON ROD	17.75
63	B1115284	PISTON ROD RETAINER PIN	1.00
64	B1115288	PISTON ROD SPRING	1.75
65	B1115292	PISTON SEAL	13.75
66	B1115298	PISTON TUBE	97.25
67	*+ B1115003	RECEIVER, HUNTER, ALLOY	400.00
67	*+ B1115475	RECEIVER, MOINF, ALLOY	460.00
67	*+ B1115012	RECEIVER, MODB, ALLOY	460.00
67	*+ B1115001	RECEIVER, MONBU, ALLOY	460.00
67	*+ B1115000	RECEIVER, MOSG, ALLOY	460.00
67	*+ B1115002	RECEIVER, STALKER, ALLOY	400.00
67	*+ B1115305	RECEIVER, STALKER, STEEL	400.00
67	*+ B1115303	RECEIVER RAMP, STALKER, STEEL	400.00
68	B1115310	RECEIVER RAMP, ALLOY	17.75
68A	B1115314	RECEIVER RAMP SET SCREW	3.00
69	B1115318	RECOIL SPRING FOLLOWER	5.50
70	B1115322	RECOIL SPRING, INNER	8.00
71	B1115326	RECOIL SPRING, OUTER	15.25
72	B1115330	RECOIL SPRING TUBE	23.50
73	B1115335	RECOIL SPRING TUBE PLUG	9.00
74	B1115338	RECOIL SPRING TUBE PLUG PIN	1.00
74A	* B0008456	RECOIL PAD, BROWN	36.00
74A	* B0008466	RECOIL PAD, BLACK	36.00
75	B1115342	REINFORCING PLATE	6.25
76	B1221204	RIB REINFORCING PIN	1.00
77	B1115372	SAFETY PLUNGER	1.50

*Indicates part must be fitted by Browning Service Department or qualified gunsmith.
 ***Factory replacement only. Firearm must be returned. (DT) Denotes Dura-Touch Armor Coating
 +Part may be purchased only by holders of a current, valid Federal Firearms License.
 NOTE: Unless otherwise indicated, part is interchangeable between gauges/calibers.



10 Gauge Autoloading Shotgun

GOLD® 10

IMPORTANT: When ordering, list part number, part name, gun gauge/caliber and serial number. Please specify grade.
Prices F.O.B. point of shipment — subject to change without notice. Prices effective January 1, 2013.

REF. NO.	PART NO.	DESCRIPTION	MSRP (US\$)
78	* B1115368	SAFETY, RH / LH (REVERSIBLE)	\$10.50
79	B1115376	SAFETY SPRING	1.00
80	B1115380	SAFETY SPRING SCREW	1.00
81	*** B1115386	SEAR	20.25
82	B1221139	SEAR PIN	2.75
83	B1115394	SEAR SPRING	1.00
84	B1111431	SIGHT BEAD	3.25
84A	* B1115074	STOCK, HUNTER	184.00
84A	* B1115072	STOCK, COMPOSITE	100.00
84A	* B1115472	STOCK, MOINF (DT)	195.00
84A	* B1115473	STOCK, MOINF, NWTF (DT)	195.00
84A	* B1115013	STOCK, MODB (DT)	145.00
84A	* B1115005	STOCK, MONBU (DT)	145.00
84A	* B1115007	STOCK, MONBU, NWTF (DT)	145.00
84A	* B1115469	STOCK, MONSG (DT)	145.00
84A	* B1115006	STOCK, MOSG (DT)	145.00
85	B1115402	STOCK BOLT, (WOOD STOCK)	1.50
85	B1115404	STOCK BOLT, (COMPOSITE STOCK)	1.50
86	B1221167	STOCK BOLT LOCK WASHER	1.00
87	B1115414	STOCK BOLT SPACER PLATE (PRIOR TO 1994)	3.00
87	B1115415	STOCK BOLT SPACER PLATE (1994 TO CURRENT)	3.50

REF. NO.	PART NO.	DESCRIPTION	MSRP (US\$)
88	B1115410	STOCK BOLT WASHER (WOOD STOCK)	\$2.75
88	B1115412	STOCK BOLT WASHER (COMPOSITE STOCK)	2.50
89	B1221329	STOCK SPACER PLATE PIN	2.75
90	B1115428	TRIGGER ADJUSTING SCREW	1.00
91	*** B1115424	TRIGGER, GOLD	22.25
91	*** B1115426	TRIGGER, MATTE BLACK	22.25
92	*** B1115434	TRIGGER GUARD, HIGH POLISH	56.50
92	*** B1115436	TRIGGER GUARD, MATTE BLACK	56.50
NS	B111543601	TRIGGER GUARD ASSEMBLY, MATTE BLACK	249.00
92A	B1115454	TRIGGER GUARD PIN BUSHING	5.50
93	B1115450	TRIGGER GUARD PIN BUSHING	8.00
94	B1115458	TRIGGER GUARD PIN RETAINER	1.00
95	B1115443	TRIGGER GUARD RAIL, LEFT	28.50
96	B1115439	TRIGGER GUARD RAIL, RIGHT	29.00
97	B1115462	TRIGGER PIN	1.25
98	B1221191	TRIGGER PIN	1.25
99	B1115468	TRIGGER SPRING	1.00
100	B1221193	TRIGGER SPRING PIN	1.00

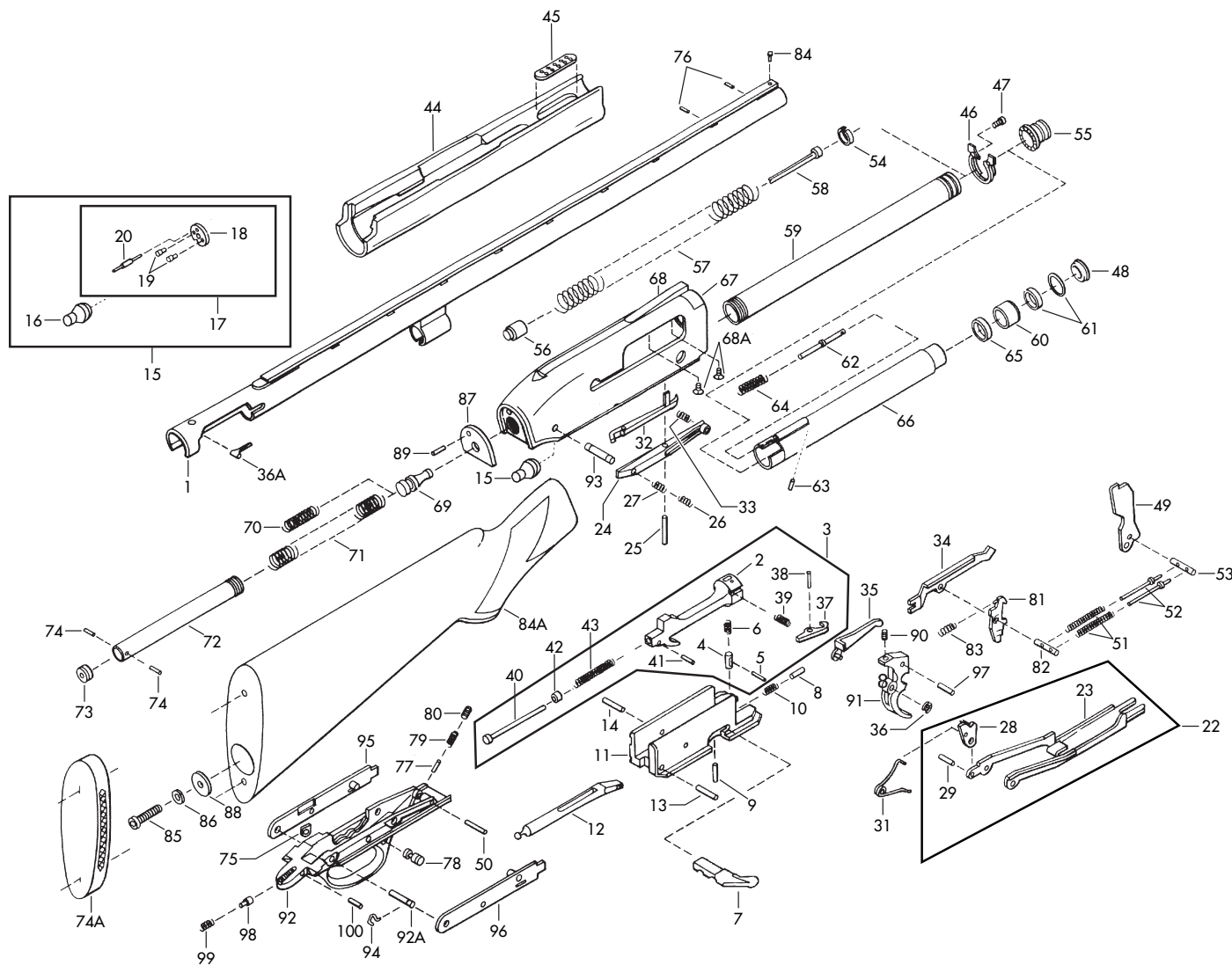
*Indicates part must be fitted by Browning Service Department or qualified gunsmith.
 ***Factory replacement only. Firearm must be returned. (DT) Denotes Dura-Touch Armor Coating
 +Part may be purchased only by holders of a current, valid Federal Firearms License.
 NOTE: Unless otherwise indicated, part is interchangeable between gauges/calibers.



10 Gauge Autoloading Shotgun

GOLD® 10

NOTE: WHEN ORDERING PARTS USE THE PART NUMBER AND NOT THE SCHEMATIC REFERENCE NUMBER.



Schematic is provided for parts identification only and should not be used as a guide to assemble guns.
 CAUTION: Browning parts are not recommended for use in other guns though models may be similar. Inadequately fitted parts may be dangerous.