



IMPORTANT: When ordering, list part number, part name, gun gauge/caliber and serial number. Please specify grade. Prices F.O.B. point of shipment — subject to change without notice. Prices effective January 1, 2013.

Table with 4 columns: REF. NO., PART NO., DESCRIPTION, MSRP (US\$). Lists various barrel mounting screws and BBL/REC parts.

Table with 4 columns: REF. NO., PART NO., DESCRIPTION, MSRP (US\$). Lists various BBL/REC parts with different configurations and finishes.

\*Indicates part must be fitted by Browning Service Department or qualified gunsmith. \*\*\*Factory replacement only. Firearm must be returned to Browning Service Department for service. (DT) denotes Dura-Touch Armor Coating. +Part may be purchased only by holders of a current, valid Federal Firearms License. NOTE: Unless otherwise indicated, part is interchangeable between all gauges/calibers.



IMPORTANT: When ordering, list part number, part name, gun gauge/caliber and serial number. Please specify grade. Prices F.O.B. point of shipment — subject to change without notice. Prices effective January 1, 2013.

Table with 4 columns: REF. NO., PART NO., DESCRIPTION, MSRP (US\$). Contains 40 rows of rifle parts including BBL/REC, BOLT ASSEMBLY, and BOLT HANDLE components.

Table with 4 columns: REF. NO., PART NO., DESCRIPTION, MSRP (US\$). Contains 38 rows of rifle parts including BOLT ASSEMBLY, BOLT BODY, BOLT LOCK, and BOLT HANDLE components.

\*Indicates part must be fitted by Browning Service Department or qualified gunsmith.
\*\*\*Factory replacement only. Firearm must be returned to Browning Service Department for service.
(DT) denotes Dura-Touch Armor Coating.
+Part may be purchased only by holders of a current, valid Federal Firearms License.
NOTE: Unless otherwise indicated, part is interchangeable between all gauges/calibers.



IMPORTANT: When ordering, list part number, part name, gun gauge/caliber and serial number. Please specify grade. Prices F.O.B. point of shipment — subject to change without notice. Prices effective January 1, 2013.

Table with 4 columns: REF. NO., PART NO., DESCRIPTION, MSRP (US\$). Contains parts 18 through 45.

Table with 4 columns: REF. NO., PART NO., DESCRIPTION, MSRP (US\$). Contains parts 45 through 52.

\*Indicates part must be fitted by Browning Service Department or qualified gunsmith. \*\*\*Factory replacement only. Firearm must be returned to Browning Service Department for service. (DT) denotes Dura-Touch Armor Coating. +Part may be purchased only by holders of a current, valid Federal Firearms License. NOTE: Unless otherwise indicated, part is interchangeable between all gauges/calibers.



IMPORTANT: When ordering, list part number, part name, gun gauge/caliber and serial number. Please specify grade. Prices F.O.B. point of shipment — subject to change without notice. Prices effective January 1, 2013.

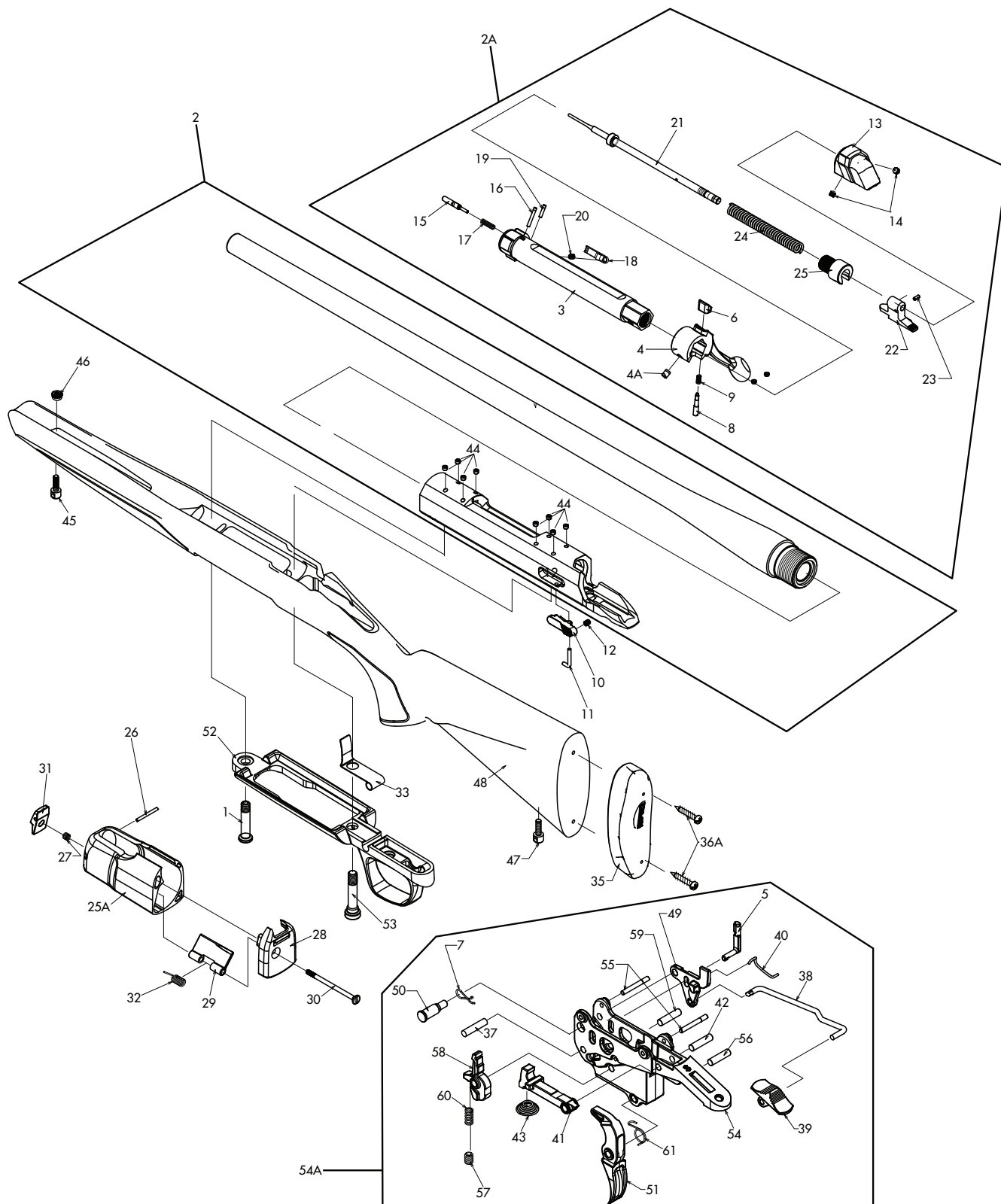
REF. NO.	PART NO.	DESCRIPTION	MSRP (US\$)
52	B3579148	TRIGGER GUARD, LA, STAINLESS	\$70.00
52	B3579236	TRIGGER GUARD, LA, WHITE GOLD MEDALLION	75.00
52	B3579149	TRIGGER GUARD, SA, HUNTER / STALKER	65.00
52	B3579150	TRIGGER GUARD, SA, MEDALLION	65.00
52	B3579151	TRIGGER GUARD, SA, STAINLESS	70.00
52	B3579235	TRIGGER GUARD, SA, WHITE GOLD MEDALLION	75.00
52	B3579184	TRIGGER GUARD, SSA, HUNTER / STALKER	65.00
52	B3579153	TRIGGER GUARD, SSA, MEDALLION	65.00
52	B3579154	TRIGGER GUARD, SSA, STAINLESS	70.00
52	B3579234	TRIGGER GUARD, SSA, WHITE GOLD MEDALLION	75.00
53	B3579155	TRIGGER GUARD SCREW, REAR, HUNTER / STALKER	6.00
53	B3579156	TRIGGER GUARD SCREW, REAR, MEDALLION	6.00
53	B3579157	TRIGGER GUARD SCREW, REAR, STAINLESS	7.00
53	B3579246	TRIGGER GUARD SCREW, REAR, WHITE GOLD MEDALLION	7.00
54	* B3579158	TRIGGER MECHANISM HOUSING, HUNTER / STALKER / STALKER	45.00

REF. NO.	PART NO.	DESCRIPTION	MSRP (US\$)
54	* B3579175	TRIGGER MECHANISM HOUSING, MEDALLION	\$45.00
54	* B3579159	TRIGGER MECHANISM HOUSING, STAINLESS	50.00
54	* B3579237	TRIGGER MECHANISM HOUSING, WHITE GOLD MEDALLION	55.00
54A	B3579160	TRIGGER ASSEMBLY COMPLETE, HUNTER / STALKER	130.00
54A	B3579152	TRIGGER ASSEMBLY COMPLETE, MEDALLION	140.00
54A	B3579161	TRIGGER ASSEMBLY COMPLETE, STAINLESS	145.00
54A	B3579238	TRIGGER ASSEMBLY COMPLETE, WHITE GOLD MEDALLION	150.00
55	* B3579162	TRIGGER MECHANISM HOUSING SET PIN (2 REQUIRED)	1.00
56	B3579163	TRIGGER PIN	1.00
57	* B3579164	TRIGGER PULL ADJUSTING SCREW	1.00
58	* B3579165	TRIGGER SEAR	18.00
59	* B3579166	TRIGGER SEAR PIN	1.00
60	* B3579167	TRIGGER SEAR SPRING	1.00
61	* B3579168	TRIGGER SPRING	1.00

\*Indicates part must be fitted by Browning Service Department or qualified gunsmith.  
 \*\*\*Factory replacement only. Firearm must be returned to Browning Service Department for service.  
 (DT) denotes Dura-Touch Armor Coating.  
 +Part may be purchased only by holders of a current, valid Federal Firearms License.  
 NOTE: Unless otherwise indicated, part is interchangeable between all gauges/calibers.



NOTE: WHEN ORDERING PARTS YOU MUST USE THE PART NUMBER AND NOT THE SCHEMATIC REFERENCE NUMBER.



Schematic is provided for parts identification only and should not be used as a guide to assemble guns. CAUTION: Browning parts are not recommended for use in other guns though models may be similar. Inadequately fitted parts may be dangerous.