



22 Caliber Autoloading Pistol

BUCK MARK® PISTOL

IMPORTANT: When ordering, list part number, part name, gun gauge/caliber and serial number. Please specify grade.
Prices F.O.B. point of shipment — subject to change without notice. Prices effective January 1, 2013.

REF. NO.	PART NO.	DESCRIPTION	MSRP (US\$)
NS	B5152800	ALLEN KEY, 1/16"	\$1.25
NS	B5152801	ALLEN KEY, 3/32"	1.25
NS	*** B5152447	BARREL BLOCK ('92-PRESENT)	3.50
NS	*** B5150447	BARREL BLOCK (PRE '92)	6.25
1	B5152448	BARREL MOUNTING SCREW	1.25
2	B5150057	BARREL, 4", MICRO BULL, BLUE	69.00
2	B5150070	BARREL, 4", MICRO BULL, STAINLESS	90.00
2	B5152613	BARREL, 4", MICRO CHALLENGE, BLUE	76.00
2	B5152708	BARREL, 4", MICRO PLUS / STANDARD, BLUE	69.00
2	B5150038	BARREL, 4", MICRO PLUS / STANDARD, STAINLESS	86.25
2	B5152815	BARREL, 5.5", BULLSEYE, BLUE	120.75
2	B5152606	BARREL, 5.5", CAMPER, BLUE	69.00
2	B5150037	BARREL, 5.5", CAMPER, STAINLESS	86.25
2	B5152612	BARREL, 5.5", CHALLENGE, BLUE	79.25
2	B5150061	BARREL, 5.5", CONTOUR LITE, BLUE	140.00
2	*** B5150076	BARREL, 5.5", CONTOUR TACTICAL, BLUE	130.00
2	B5150043	BARREL, 5.5", CONTOUR, BLUE	103.50
2	B5152803	BARREL, 5.5", FIELD / TARGET, BLUE	69.00
2	B5150073	BARREL, 5.5", LITE, GRAY	120.00
2	B5150074	BARREL, 5.5", LITE, GREEN	120.00
2	B5150030	BARREL, 5.5", PLUS, BLUE	80.50
2	*** B5150075	BARREL, 5.5", SR, BLUE	130.00
2	B5152702	BARREL, 5.5", STANDARD, BLUE	69.00
2	B5150035	BARREL, 5.5", STANDARD, STAINLESS	86.25
2	B5150058	BARREL, 7.25", BULLSEYE, BLUE	155.25
2	B5150062	BARREL, 7.25", CONTOUR LITE, BLUE	145.00
2	B5150044	BARREL, 7.25", CONTOUR, BLUE	132.25
2	B5150021	BARREL, 7.25", HUNTER, BLUE	86.25
NS	B5150082	BARREL THREAD PROTECTOR, SR, BLUE	0.00
3	B5150005	BUFFER ('00-PRESENT)	1.25
4	B5152501	BUFFER (PRE '00)	1.25
5	* B5152703	DISCONNECTOR	2.50
6	B5152705	DISCONNECTOR PIN	1.25
7	B5150027	DISCONNECTOR SPRING ('05-PRESENT)	1.50
7	B5150452	DISCONNECTOR SPRING (PRE '05)	1.25
8	B5150453	EJECTOR	1.25
9	B5150454	EXTRACTOR	2.50
10	B5150456	EXTRACTOR SPRING	1.25
11	B5150455	EXTRACTOR SPRING MODELS	1.25
12	* B5152657	FIRING PIN (PRE '00) (OBSOLETE WHEN SUPPLIES EXHAUSTED)	2.75
13	B5150002	FIRING PIN ('00-PRESENT)	2.50
14	B5150001	FIRING PIN HOUSING ('00-PRESENT)	2.50
15	B5152658	FIRING PIN RETAINER	1.25
16	B5150004	FIRING PIN RETAINER PIN ('00-PRESENT)	1.25
17	B5152659	FIRING PIN SPRING (PRE '00)	1.25
18	B5150003	FIRING PIN SPRING ('00-PRESENT)	1.25
20A	B5150547	GRIP MEDALLION, BUCK MARK LOGO	1.25
21	B5150464	GRIP SCREW, BLUE	1.25
21	B5150056	GRIP SCREW, UDX, BLUE	1.25
22/23	B5152604	GRIP SET, CHALLENGE, NATURAL, CHECKERED	47.00
22/23	B5152616	GRIP SET, CHALLENGER, NATURAL, SMOOTH	35.00

REF. NO.	PART NO.	DESCRIPTION	MSRP (US\$)
22/23	B5150011	GRIP SET, CLASSIC PLUS, WALNUT, UNCHECKERED LAMINATE	\$27.75
22/23	B5150060	GRIP SET, DAMASCUS, ROSEWOOD, CHECKERED LAMINATE, OAK LEAF ACCENTS	47.00
22/23	B5150023	GRIP SET, FIELD / HUNTER, COCOBOLO, UNCHECKERED LAMINATE	42.00
22/23	B5150009	GRIP SET, FOREST CAMPER, GREEN, UNCHECKERED LAMINATE, W/ BUCKMARK MEDALLION	42.00
22/23	B5152868	GRIP SET, NICKEL PLUS, BLACK-GRAY, UNCHECKERED LAMINATE, W/ BUCKMARK MEDALLION	42.00
22/23	B5152666	GRIP SET, PLUS, WALNUT, UNCHECKERED LAMINATE, W/ BUCKMARK MEDALLION	42.00
22/23	B5152662	GRIP SET, STANDARD, BLACK, RUBBERIZED	35.00
22/23	B5150050	GRIP SET, UDX, BLACK, CHECKERED LAMINATE	47.00
22/23	B5150054	GRIP SET, UDX, ROSEWOOD, CHECKERED LAMINATE	47.00
22/23	B5150052	GRIP SET, UDX, WALNUT, CHECKERED LAMINATE	47.00
22/23	B5150085	GRIP SET, UFX, BLACK-GRAY, RUBBERIZED	35.00
22/23	B5150034	GRIP SET, URX, BLACK RUBBERIZED	35.00
24	B5152465	HAMMER, BUCK MARK / CHALLENGER III	14.00
25	B5152467	HAMMER LINK, BUCK MARK / CHALLENGER III	1.25
26	B5150468	HAMMER LINK PIN, BUCK MARK / CHALLENGER II-III	1.25
27	B5152466	HAMMER PIN, BUCK MARK / CHALLENGER III	1.25
28	B5152605	MAGAZINE BODY	20.75
29	B5152672	MAGAZINE BUTTON	1.25
30	B5152617	MAGAZINE EJECTOR, CHALLENGE FRAME	1.25
30	B5150520	MAGAZINE EJECTOR, STANDARD FRAME	1.25
NS	B5150026	MAGAZINE EJECTOR PLUNGER ('05-PRESENT)	1.25
31	B5150514	MAGAZINE EJECTOR RETAINING PIN	1.25
31	B5150055	MAGAZINE EJECTOR RETAINING PIN, UDX	1.25
32	B5152618	MAGAZINE EJECTOR SPRING, CHALLENGE FRAME	1.25
32	B5150521	MAGAZINE EJECTOR SPRING, STANDARD FRAME	1.25
33	B5152673	MAGAZINE FOLLOWER	1.25
34	B5152674	MAGAZINE LATCH	2.50
35	B5150475	MAGAZINE LATCH / TRIGGER PIN	2.50
36	B5152676	MAGAZINE LATCH SPRING	2.50
37	B5152677	MAGAZINE SPRING	1.25
38	B5152478	MAINSRING, BUCK MARK / CHALLENGER III	1.25
39	B5152480	MAINSRING PLUNGER, BUCK MARK / CHALLENGER III	2.50
NS	B5150065	RECOIL SPRING GUIDE ASSEMBLY ('01-PRESENT)	6.50
NS	B5152684	RECOIL SPRING GUIDE ASSEMBLY (PRE '01)	3.50
40	B5150481	RECOIL SPRING, BUCK MARK / CHALLENGER II-III	1.25
41	B5152682	RECOIL SPRING GUIDE	1.25
42	B5152683	RECOIL SPRING GUIDE ROD	1.25
43	B5152681	RECOIL SPRING GUIDE RETAINING RING	1.25
44	B5152805	RIB, 5.5", CONTOUR / FIELD, BLACK	86.25
44	B5150042	RIB, 7.25", CONTOUR / FIELD, BLACK	97.75

*Indicates part must be fitted by Browning Service Department or qualified gunsmith.
 Factory replacement only. Firearm must be returned. *These parts are no longer available.
 +Part may be purchased only by holders of a current, valid Federal Firearms License.
 NOTE: Unless otherwise indicated, part is interchangeable between gauges/calibers.



22 Caliber Autoloading Pistol

BUCK MARK® PISTOL

IMPORTANT: When ordering, list part number, part name, gun gauge/caliber and serial number. Please specify grade.
Prices F.O.B. point of shipment — subject to change without notice. Prices effective January 1, 2013.

REF. NO.	PART NO.	DESCRIPTION	MSRP (US\$)
44	B5150024	RIB, HUNTER SE, BLACK	\$86.25
44	B5152804	RIB, 5.5", TARGET, BLACK	86.25
44	B5152808	RIB, 5.5", GOLD	111.50
45	* B5152523	SAFETY ASSEMBLY, W/ THUMB PIECE	7.00
46	* B5150484	SAFETY CLICK PLATE	1.25
47	* B5152485	SEAR, BUCK MARK / CHALLENGER III	10.50
48	B5152486	SEAR PIN	1.25
NS	B5152884	SEAR SCREW STOP PIN, FOR ADJUSTABLE TRIGGER	1.25
50	* B5152883	SEAR SPRING ADJUSTING SCREW, FOR ADJUSTABLE TRIGGER	3.50
51	* B5152487	SEAR SPRING, BUCK MARK / CHALLENGER III	1.25
51	* B5152881	SEAR SPRING, FOR ADJUSTABLE TRIGGER	1.25
52	B5152488	SEAR SPRING PIN, BUCK MARK / CHALLENGER III	1.25
NS	B5152893	SHELL DEFLECTOR	2.50
53	B5152754	SIGHT ASSEMBLY, REAR, STANDARD, PRO-TARGET	51.75
53	B5152753	SIGHT ASSEMBLY, REAR, TARGET, PRO-TARGET	51.75
54	B5152685	SIGHT BASE PIN, CAMPER / STANDARD / PLUS (DISCONTINUED)	1.25
55	B5152686	SIGHT BASE SCREW, FRONT ('92-PRESENT)	2.50
55	B5152691	SIGHT BASE SCREW, FRONT (PRE '92)	2.75
NS	B5152699	SIGHT BASE LOCK WASHER	1.25
57	B5152695	SIGHT BASE SCREW, FRONT / MIDDLE, TARGET RIB ('92-PRESENT)	2.50
57	B5152695	SIGHT BASE SCREW, REAR, STANDARD ('92-PRESENT)	2.50
57	B5152696	SIGHT BASE SCREW, REAR, STANDARD (PRE '92)	2.75
58	B5152697	SIGHT BASE WASHER	1.25
NS	B5152844	SIGHT BLADE SPRING, PRO-TARGET	1.25
NS	B5152843	SIGHT BLADE, REAR, STANDARD, PRO-TARGET	7.00
NS	* B5152841	SIGHT BLADE, REAR, TARGET, PRO-TARGET	7.00
NS	B5152845	SIGHT ELEVATOR DETENT SPRING, PRO-TARGET	1.25
NS	B5152846	SIGHT ELEVATOR SCREW, PRO-TARGET	1.25
NS	B5152847	SIGHT ELEVATOR SCREW DETENT, PRO-TARGET	1.25
NS	B5152848	SIGHT ELEVATOR SCREW DETENT PIN, PRO-TARGET	1.25

REF. NO.	PART NO.	DESCRIPTION	MSRP (US\$)
59	* B5152689	SIGHT, FRONT	\$7.00
NS	B5152607	SIGHT, FRONT, CAMPER, BLACK, PLASTIC	3.50
NS	B5150013	SIGHT, FRONT, CAMPER, FIBER-OPTIC, TRUGLO®/MARBLE'S®	40.00
NS	B5152614	SIGHT, FRONT, CHALLENGE	9.25
NS	B5152806	SIGHT, FRONT, FIELD 5.5"	5.75
NS	B5150025	SIGHT, FRONT, HUNTER SE, FIBER-OPTIC, TRUGLO®/MARBLE'S®	20.75
NS	B5150012	SIGHT, FRONT, PLUS, FIBER-OPTIC, TRUGLO®/MARBLE'S®	40.00
NS	B5152687	SIGHT LOCALIZATION PIN, FRONT	1.25
NS	B5152850	SIGHT LEAF PIN, PRO-TARGET	1.25
NS	B5152849	SIGHT LEAF, PRO-TARGET	10.50
NS	B5152851	SIGHT LEAF SPRING, PRO-TARGET	1.25
63	B5152693	SIGHT MOUNT BASE, REAR, ALUMINUM, BASE ONLY	15.00
63	B5150078	SIGHT MOUNT BASE, REAR, ALUMINUM, INCLUDES SIGHT ASSEMBLY	52.00
63	B5152608	SIGHT MOUNT BASE, REAR, PLASTIC, (DISCONTINUED - USE B5150078)	---
NS	B5152886	SIGHT POST WRENCH	4.75
60	B5152688	SIGHT RETAINING SCREW, FRONT	1.25
NS	B5152807	SIGHT RETAINING PIN, FRONT, CONTOUR / FIELD	1.25
66	B5152680	SIGHT RETAINING SCREW, PRO-TARGET	1.25
NS	B5152853	SIGHT WINDAGE SCREW DETENT, PRO-TARGET	1.25
NS	B5152854	SIGHT WINDAGE SCREW DETENT SPRING, PRO-TARGET	1.25
NS	B5152852	SIGHT WINDAGE SCREW, PRO-TARGET	1.25
NS	B5152855	SIGHT WINDAGE RETAINING RING, PRO-TARGET	1.25
67	B5150077	SLIDE, PRACTICAL ('00-PRESENT)	60.00
67	* B5152694	SLIDE, STANDARD (PRE '00)	55.25
68	B5150000	SLIDE, STANDARD ('00-PRESENT)	62.25
68	B5150036	SLIDE, STAINLESS ('00-PRESENT)	76.00
69	B5152525	STOP OPEN LATCH ASSEMBLY, WITH THUMB PIECE	5.75
70	B5150497	STOP OPEN LATCH SPRING	1.25
72	* B5152898	TRIGGER, ADJUSTABLE	10.50
72	* B5152698	TRIGGER	7.00
NS	* B5152897	TRIGGER LIMIT SCREW	1.25

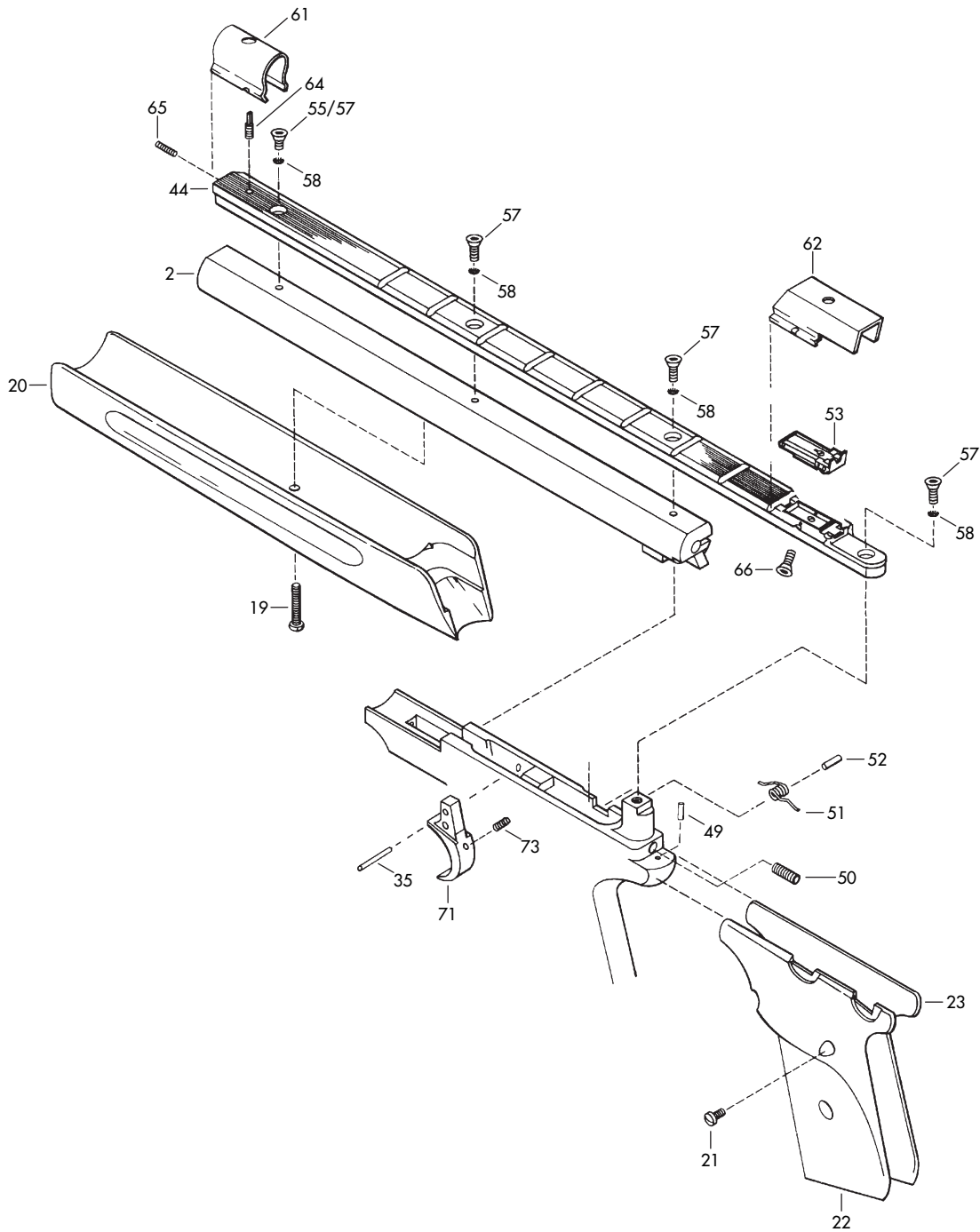
*Indicates part must be fitted by Browning Service Department or qualified gunsmith.
 Factory replacement only. Firearm must be returned. *These parts are no longer available.
 +Part may be purchased only by holders of a current, valid Federal Firearms License.
 NOTE: Unless otherwise indicated, part is interchangeable between gauges/calibers.



22 Caliber Autoloading Pistol Silhouette Model

BUCK MARK® PISTOL

NOTE: WHEN ORDERING PARTS USE THE PART NUMBER AND NOT THE SCHEMATIC REFERENCE NUMBER.



Schematic is provided for parts identification only and should not be used as a guide to assemble guns.
CAUTION: Browning parts are not recommended for use in other guns though models may be similar.
Inadequately fitted parts may be dangerous.