



12-20 Gauge Autoloading Shotgun

SILVER®

IMPORTANT: When ordering, list part number, part name, gun gauge/caliber and serial number. Please specify grade.
Prices F.O.B. point of shipment — subject to change without notice. Prices effective January 1, 2013.

REF. NO.	PART NO.	DESCRIPTION	MSRP (US\$)
1	B111607211	ACTION SPRING, 12, 2.75" / 3"	\$2.50
1	B111607301	ACTION SPRING, 12, 3.5"	2.50
2	B111607502	ACTION SPRING PLUNGER	5.00
3	B111607401	ACTION SPRING RETAINER	2.50
3	U1117474AX	ACTION SPRING RETAINER, MICRO MIDAS	12.50
4	B111607602	ACTION SPRING RETAINER PIN,	1.25
4	BST41273E2	ACTION SPRING RETAINER PIN, MICRO MIDAS	3.75
5	* B111606812	ACTION SPRING TUBE, 12	18.75
5	* U1117683AJ	ACTION SPRING TUBE, 12 - 20, MICRO MIDAS	21.25
5	* B111606702	ACTION SPRING TUBE, 20	21.25
6	*** U1117561EA	BOLT ASSEMBLY, 12, 2.75", HIGH POLISH	105.00
6	*** U111757405	BOLT ASSEMBLY, 12, 3", HIGH POLISH	105.00
6	*** U111758405	BOLT ASSEMBLY, 12, 3", MATTE FINISH	105.00
6	*** U111760405	BOLT ASSEMBLY, 12, 3.5", MATTE FINISH	105.00
6	*** U111759405	BOLT ASSEMBLY, 12, 3.5", HIGH POLISH	105.00
6	*** B1116796E6	BOLT ASSEMBLY, 20, HIGH POLISH	105.00
6	*** B1116800A1	BOLT ASSEMBLY, 20, MATTE FINISH	105.00
6	*** B1126404EE	BOLT ASSEMBLY, 20, DEER	105.00
NS	B111613002	BOLT CAM, 20	2.50
NS	B111613302	BOLT CAM RETAINING PIN, 20	2.50
7	* U1117533A9	BREECH BLOCK / SLIDE ASSEMBLY, 12, 2.75" / 3", HIGH POLISH	110.00
7	* U1117520AJ	BREECH BLOCK / SLIDE ASSEMBLY, 12, 2.75" / 3", MATTE FINISH	110.00
7	* U1117959A9	BREECH BLOCK / SLIDE ASSEMBLY, 12, 3.5", HIGH POLISH	110.00
7	* U1117931AJ	BREECH BLOCK / SLIDE ASSEMBLY, 12, 3.5", MATTE FINISH	110.00
7	* B1116115E6	BREECH BLOCK / SLIDE ASSEMBLY, 20, HIGH POLISH	110.00
7	* B1116116A1	BREECH BLOCK / SLIDE ASSEMBLY, 20, MATTE FINISH	110.00
7	* B1126403EE	BREECH BLOCK / SLIDE ASSEMBLY, 20, DEER	110.00
9	* U111770204	CARRIER ASSEMBLY, FRONT, 12, HIGH POLISH	37.50
9	* U111770104	CARRIER ASSEMBLY, FRONT, 12, MATTE FINISH	37.50
9	* B111648803	CARRIER ASSEMBLY, FRONT, 20, HIGH POLISH	37.50
9	* B111648703	CARRIER ASSEMBLY, FRONT, 20, MATTE FINISH	37.50
9	* B1116487EE	CARRIER ASSEMBLY, FRONT, 20, DEER	37.50
NS	* B111625514	CARRIER ASSEMBLY, REAR, 20, HIGH POLISH	47.50
NS	* B111625614	CARRIER ASSEMBLY, REAR, 20, MATTE FINISH	47.50
NS	* B1126405EE	CARRIER ASSEMBLY, REAR, 20, DEER	47.50
10	* U111772703	CARRIER DOG, 12	11.25
10	* B111627503	CARRIER DOG, 20	11.25
11	B111628701	CARRIER DOG BUFFER	3.75
12	B111628502	CARRIER DOG STOP, LOWER	1.25
13	B111628002	CARRIER DOG PIN	2.50
14	U111773601	CARRIER DOG SPRING, 12	1.25
14	B11141247AE	CARRIER DOG SPRING, 12 - 20, RIFLED DEER	2.50
14	B111628311	CARRIER DOG SPRING, 20	1.25

REF. NO.	PART NO.	DESCRIPTION	MSRP (US\$)
15	B111628201	CARRIER DOG SPRING GUIDE	\$2.50
16	B111628401	CARRIER DOG STOP, UPPER	1.25
16A	* U1117516JF	CARRIER LATCH, 12, 3"	29.00
16A	* U1117511JF	CARRIER LATCH, 12, 3.5"	29.00
16A	* B111608604	CARRIER LATCH, 20	29.00
17	U1117925AA	CARRIER LATCH DAMPER, 12	3.00
17	B111609101	CARRIER LATCH DAMPER, 20	1.25
18	U111751702	CARRIER LATCH PIN, 12	1.25
18	B111609402	CARRIER LATCH PIN, 20	2.50
19	B111609611	CARRIER LATCH PIN CLIP	1.25
20	U111751801	CARRIER LATCH SPRING, 12	2.50
20	B111609811	CARRIER LATCH SPRING, 20	3.75
22	U111772501	CARRIER PIN RETAINER, 12	3.75
21	U111772102	CARRIER PIN, 12	5.00
NS	B111622601	CARRIER SPRING, 20	1.25
22A	U111750103	CARTRIDGE STOP, 12	7.00
22A	B111613402	CARTRIDGE STOP, 20	2.50
23	U1117549EF	CARTRIDGE STOP / CARRIER LATCH ASSEMBLY, 12, 2.75" / 3"	40.50
23	U1117548EF	CARTRIDGE STOP / CARRIER LATCH ASSEMBLY, 12, 3.5"	40.50
23A	B111614002	CARTRIDGE STOP & EXTRACTOR PLUNGER	1.25
NS	B111613602	CARTRIDGE STOP PIN, 20	2.50
24	U111750501	CARTRIDGE STOP SPRING, 12	1.25
24	B111613801	CARTRIDGE STOP SPRING, 20	1.25
25	*** B111620503	DISCONNECTOR	2.50
26	*** B111620301	DISCONNECTOR SPRING / TRIGGER SPRING	3.75
27	B111620602	DISCONNECTOR PIN	1.25
28	* B111658802	EJECTOR	2.50
29	* B111616403	EXTRACTOR	14.75
30	B111616602	EXTRACTOR PIN	2.50
32	B111616701	EXTRACTOR SPRING	1.25
33	* U1117620J2	FIRING PIN, 12, 2.75"	11.75
33	* B111616812	FIRING PIN, 12, 3"	13.75
33	* B111616912	FIRING PIN, 12, 3.5"	13.75
33	* B1116174KW	FIRING PIN, 20	16.25
34	B111617122	FIRING PIN RETAINING PIN, 12	2.50
34	B111617222	FIRING PIN RETAINING PIN, 20	2.50
35	* B111617001	FIRING PIN SPRING, 12	2.50
35	* B1116175FW	FIRING PIN SPRING, 20	2.50
36	* B1126341EJ	FOREARM, 12, 2.75", SPORTING CLAYS / SPORTING MICRO	100.00
36	* B1126161EJ	FOREARM, 12, 3, DUCKS UNLIMITED, GR III	143.75
36	* B1126030EK	FOREARM, 12, 3", HUNTER / MICRO MIDAS	93.75
36	* B1126457W8	FOREARM, 12, 3", MOINF (DT)	93.75
36	* B111630302	FOREARM, 12, 3", MONBU (DT)	75.00
36	* B1126426WV	FOREARM, 12, 3", MOTS (DT)	115.00
36	* B1126146EK	FOREARM, 12, 3.5", HUNTER	93.75
36	* B1126307EJ	FOREARM, 12, 3.5", LIGHTNING	100.00
36	* B1126296WE	FOREARM, 12, 3.5", MODB (DT)	75.00
36	* B1126451W8	FOREARM, 12, 3.5", MOINF (DT)	93.75
36	* B111630702	FOREARM, 12, 3.5", MONBU (DT)	75.00
36	* B111630402	FOREARM, 12, 3.5", MONSG (DT)	75.00
36	* B1126232E7	FOREARM, 12, 3.5", STALKER (DT)	60.00

*Indicates part must be fitted by Browning Service Department or qualified gunsmith.
 ***Factory replacement only. Firearm must be returned. (DT) Denotes Dura-Touch Armor Coating
 +Part may be purchased only by holders of a current, valid Federal Firearms License.
 NOTE: Unless otherwise indicated, part is interchangeable between gauges/calibers.



12-20 Gauge Autoloading Shotgun

SILVER®

IMPORTANT: When ordering, list part number, part name, gun gauge/caliber and serial number. Please specify grade.
Prices F.O.B. point of shipment — subject to change without notice. Prices effective January 1, 2013.

REF. NO.	PART NO.	DESCRIPTION	MSRP (US\$)
36	* B1126231E7	FOREARM, 12, DEER	\$60.00
36	* B111631603	FOREARM, 20, DEER / HUNTER / MICRO / MICRO MIDAS	110.00
36	* B1126370WE	FOREARM, 20, MODB (DT)	112.00
36	* B1126466W8	FOREARM, 20, MOINF (DT)	70.00
36	* B111638503	FOREARM, 20, MONBU (DT)	175.00
36	* B1126432WV	FOREARM, 20, MOTS (DT)	75.00
NS	B111633411	FOREARM O-RING, 12	1.25
NS	B111633801	FOREARM O-RING, 20	2.50
37	*** B111619203	HAMMER	11.25
38	B111619403	HAMMER LINK ASSEMBLY	8.75
39	B111619702	HAMMER LINK PIN	2.50
39A	*** B111619802	HAMMER PLUNGER	2.50
39B	*** B111620001	HAMMER SPRING	1.25
39C	B111620102	HAMMER SPRING PIN	1.25
NS	B1126475AX	HAMMER SPRING WASHER, 20	2.25
40	B1116129AJ	LINK, 12	18.75
40	B1116126AJ	LINK, 20	18.75
41	U111754702	LINK PIN, 12	5.00
41	B111612802	LINK PIN, 20	2.50
42	BST1422502	MAGAZINE CAP, 12, GLOSS	20.00
42	B111623403	MAGAZINE CAP, 12, MATTE (W/ EYELET)	25.00
42	B1126292F9	MAGAZINE CAP, 12, MODB (W/ EYELET)	25.00
42	B1126447W7	MAGAZINE CAP, 12, MOINF (W/ EYELET)	25.00
42	B111699503	MAGAZINE CAP, 12, MONBU (W/ EYELET)	25.00
42	B111699403	MAGAZINE CAP, 12, MONSG (W/ EYELET)	25.00
42	B1126422WT	MAGAZINE CAP, 12, MOTS (W/ EYELET)	17.50
42	B111623802	MAGAZINE CAP, 20, GLOSS	20.00
42	B1126040AT	MAGAZINE CAP, 20, MATTE (W/ EYELET)	15.00
42	B1126372F9	MAGAZINE CAP, 20, MODB (W/ EYELET)	25.00
42	B1126463W7	MAGAZINE CAP, 20, MOINF (W/ EYELET)	25.00
42	B111638303	MAGAZINE CAP, 20, MONBU (W/ EYELET)	20.00
42	B1126429WT	MAGAZINE CAP, 20, MOTS (W/ EYELET)	25.00
NS	B111696202	MAGAZINE CAP EYELET	2.75
NS	B111623702	MAGAZINE CAP EYELET STOP WASHER	2.75
42A	BST1423002	MAGAZINE CAP RETAINER, 12	3.75
42A	B111623102	MAGAZINE CAP RETAINER, 20	2.50
43	U1117473AA	MAGAZINE FOLLOWER, 12	7.50
43	B111622801	MAGAZINE FOLLOWER, 20	3.75
44	U111747501	MAGAZINE SPRING, 12, 2.75" / 3"	3.75
44	B111699801	MAGAZINE SPRING, 12, 3.5"	3.75
44	B111699701	MAGAZINE SPRING, 20	5.00
45	B111623201	MAGAZINE SPRING RETAINER, 12	2.50
45	B111623301	MAGAZINE SPRING RETAINER, 20	2.50
46	U111748301	MAGAZINE THREE SHOT ADAPTOR, 12, 2.75" / 3"	7.50
46	U1117481AA	MAGAZINE THREE SHOT ADAPTOR, 12, 3.5"	7.50
46	B111624001	MAGAZINE THREE SHOT ADAPTOR, 20	3.75
47	* B111604002	MAGAZINE TUBE, 12	33.75
47	* B1126012A7	MAGAZINE TUBE, 12, SPORTING CLAYS	12.50
47	* B111604402	MAGAZINE TUBE, 20, STEEL, RIFLED DEER	36.25
47	* B111604502	MAGAZINE TUBE, 20, ALUMINUM	38.75
NS	* B111692702	MAGAZINE TUBE RING, 20 (FOR ALUMINUM TUBE)	22.50

REF. NO.	PART NO.	DESCRIPTION	MSRP (US\$)
51	U1117535EE	OPERATING HANDLE, 12, HIGH POLISH	\$18.75
51	U1117536AN	OPERATING HANDLE, 12, MATTE FINISH	15.00
51	B111612303	OPERATING HANDLE, 20, HIGH POLISH	11.25
51	B111648003	OPERATING HANDLE, 20, MATTE FINISH	11.25
51	B1116123EE	OPERATING HANDLE, 20, DEER	12.50
NS	U111754502	OPERATING HANDLE PLUNGER PIN, 12	1.25
NS	U111754401	OPERATING HANDLE PLUNGER SPRING, 12	1.25
NS	U111754002	OPERATING HANDLE PLUNGER, 12	1.25
55	B1126469FN	PISTON ASSEMBLY, 12, 2.75", SPORTING CLAYS	75.00
55	B1116151FN	PISTON ASSEMBLY, 12, 3"	73.75
55	B111605103	PISTON ASSEMBLY, 12, 3.5"	73.75
55	B111605203	PISTON ASSEMBLY, 20	73.75
56	*+ B1126337AW	RECEIVER, 12, 2.75", SPORTING	500.00
56	*+ B1126192AT	RECEIVER, 12, 3", DEER	500.00
56	*+ B1126078AW	RECEIVER, 12, 3", HUNTER / LIGHTNING / MICRO MIDAS	500.00
56	*+ B1126319W7	RECEIVER, 12, 3", MOINF, NWTF	500.00
56	*+ B1126171W7	RECEIVER, 12, 3", MOINF, NWTF, RIFLED DEER	500.00
56	*+ B1126140AW	RECEIVER, 12, 3.5", HUNTER / LIGHTNING	500.00
56	*+ B1126140F9	RECEIVER, 12, 3.5", MODB	500.00
56	*+ B1126140W7	RECEIVER, 12, 3.5", MOINF	500.00
56	*+ B1126321W7	RECEIVER, 12, 3.5", MOINF, NWTF	500.00
56	*+ B1126140AT	RECEIVER, 12, 3.5", STALKER	500.00
56	*+ B1126347AW	RECEIVER, 20, 3", DEER / HUNTER / MICRO / MICRO MIDAS	500.00
56	*+ B1126347F9	RECEIVER, 20, 3", MODB	500.00
56	*+ B1126347W7	RECEIVER, 20, 3", MOINF, NWTF (RIFLED DEER)	500.00
NS	B111603602	RECEIVER INSERT PIN, SPORTING CLAYS	1.25
NS	B111603511	RECEIVER INSERT, SPORTING CLAYS	2.50
57	* B111639001	RECOIL PAD, 12, COMPOSITE	56.25
57	* B111639531	RECOIL PAD, 12, HUNTER / LIGHTNING	26.25
57	* BST35613AA	RECOIL PAD, 20 MICRO (PACHMAYR SC-100)	35.00
57	* B111639901	RECOIL PAD, 20, DEER / HUNTER / MOINF	12.50
57	BST14104AA	RECOIL PAD, INFLEX, FOOTPRINT 1, MICRO MIDAS	45.00
57	* BST26358AA	RECOIL PAD, MODB	50.00
57	* U1117881FV	RECOIL PAD, SPORTING CLAYS / SPORTING MICRO	45.00
NS	BST76078AJ	RECOIL PAD INSERT SUPPORT SCREW, SPORTING CLAYS / SPORTING MICRO	3.75
NS	U1117809AA	RECOIL PAD LOP SPACER, 1/4", MICRO MIDAS	5.00
NS	U1117809F3	RECOIL PAD LOP SPACER, 1/4", SPORTING CLAYS / SPORTING MICRO	5.00
58	BST76079AJ	RECOIL PAD SCREW	1.25
58	BST17091EX	RECOIL PAD SCREW, MICRO MIDAS	3.75
58	BST17807AJ	RECOIL PAD SCREW, SPORTING CLAYS / SPORTING MICRO	3.75
NS	BST17935AE	RECOIL PAD SUPPORT INSERT SPORTING CLAYS / SPORTING MICRO	1.95
NS	BST17804EX	RECOIL PAD SUPPORT SCREW, SPORTING CLAYS / SPORTING MICRO	3.75
NS	U1117810F3	RECOIL PAD SUPPORT, SPORTING CLAYS / SPORTING MICRO	10.00

*Indicates part must be fitted by Browning Service Department or qualified gunsmith.
***Factory replacement only. Firearm must be returned. (DT) Denotes Dura-Touch Armor Coating
+Part may be purchased only by holders of a current, valid Federal Firearms License.
NOTE: Unless otherwise indicated, part is interchangeable between gauges/calibers.



12-20 Gauge Autoloading Shotgun

SILVER®

IMPORTANT: When ordering, list part number, part name, gun gauge/caliber and serial number. Please specify grade.
Prices F.O.B. point of shipment — subject to change without notice. Prices effective January 1, 2013.

REF. NO.	PART NO.	DESCRIPTION	MSRP (US\$)
NS	BST81089AX	RECOIL PAD THREADED INSERT, MICRO MIDAS	\$2.50
59	*** B111682102	SAFETY	17.50
60	*** B111682302	SAFETY PLUNGER, .108" x .291"	5.00
61	*** B111621211	SAFETY PLUNGER SPRING	1.25
NS	B111658602	SCOPE BASE FILLER SCREW, NWTf	2.50
NS	B111695802	SCOPE BASE RECEIVER INSERT, NWTf	2.50
NS	B111657001	SCOPE SUPPORT BUFFER (FOR CANTILEVER BARREL)	2.50
62	*** B111620203	SEAR	7.50
63	B111620411	SEAR SPRING	1.25
NS	B111670302	SIGHT FIXING PIN, SPORTING	1.25
64	B1126356AA	SIGHT, FRONT, HI-VIZ, NWTf	18.00
64	B111670201	SIGHT, FRONT, HI-VIZ, SPORTING	21.75
64	BST1658101	SIGHT, FRONT, SILVER BEAD	2.50
64	BST1658001	SIGHT, FRONT, WHITE BEAD	6.25
NS	BST3333001	SIGHT, MID BEAD	1.25
NS	B1126357AA	SIGHT, REAR, HI-VIZ, NWTf	26.75
65	U111755103	SLEEVE BAR ASSEMBLY, 12, 3"	11.25
65	U111755003	SLEEVE BAR ASSEMBLY, 12, 3.5"	10.00
65	B1126468AA	SLEEVE BAR ASSEMBLY, 20	22.50
66	B111615011	SLEEVE BAR RETURN SPRING, 12	1.25
66	B111615211	SLEEVE BAR RETURN SPRING, 20	2.50
67	B1116029AE	SLIDE BUFFER, 12	3.75
67	B111603211	SLIDE BUFFER, 20	3.75
NS	BST1641003	SLING EYELET, REAR	2.75
68	* B1126484EK	STOCK, 12 / 20, MICRO MIDAS	135.00
68	* B1126077EK	STOCK, 12, HUNTER	120.00
68	* B1126287EJ	STOCK, 12, LIGHTNING	125.00
68	* B1126295WE	STOCK, 12, MODB (DT)	115.00
68	* B1126450W8	STOCK, 12, MOINF (DT)	125.00
68	* B1126454W8	STOCK, 12, MOINF, NWTf (DT)	115.00
68	* B111636404	STOCK, 12, MONBU (DT)	140.00
68	* B111636304	STOCK, 12, MONSG (DT)	140.00
68	* B1126425WV	STOCK, 12, MOTs (DT)	115.00
68	* B1126389EJ	STOCK, 12, SPORTING CLAYS	155.00
68	* B1126340EJ	STOCK, 12, SPORTING MICRO	148.00
68	* B1126230E7	STOCK, 12, STALKER (DT)	110.00
68	* B1126417EK	STOCK, 20, DEER	120.00
68	* B1126346EK	STOCK, 20, HUNTER	120.00
68	* B1126345EK	STOCK, 20, MICRO	135.00
68	* B1126371WE	STOCK, 20, MODB (DT)	137.00
68	* B1126465W8	STOCK, 20, MOINF (DT)	125.00
68	* B1126408EP	STOCK, 20, MONBU (DT)	125.00
68	* B1126431WV	STOCK, 20, MOTs (DT)	125.00

REF. NO.	PART NO.	DESCRIPTION	MSRP (US\$)
69	B111608002	STOCK BOLT NUT	\$2.50
69	BST17478EX	STOCK BOLT NUT, MICRO MIDAS	3.75
70	B1116078AJ	STOCK BOLT PLATE	7.50
70	U1117663AJ	STOCK BOLT PLATE, MICRO MIDAS	7.50
71	B111608202	STOCK TUBE WASHER	3.75
71	B111639401	STOCK BOLT WASHER, COMPOSITE	2.50
71	U1117664AX	STOCK TUBE WASHER, MICRO MIDAS	4.00
NS	B111662401	STOCK SHIM # 1 (+1/8" DROP, NO CAST), 20 (MODB ONLY)	1.75
NS	B111662601	STOCK SHIM # 2 (NEUTRAL DROP, NO CAST), 20 (MODB ONLY)	1.75
NS	B111662801	STOCK SHIM # 3 (-1/8" DROP, NO CAST), 20 (MODB ONLY)	1.75
72	*** B111620803	TRIGGER	10.00
74	*** B1126025AV	TRIGGER GUARD, 12, GLOSS	50.00
74	*** B1126025AT	TRIGGER GUARD, 12, MATTE	50.00
74	*** B1126025F9	TRIGGER GUARD, 12, MODB	50.00
74	*** B1126025W7	TRIGGER GUARD, 12, MOINF	50.00
74	*** B1126209FE	TRIGGER GUARD, 12, MONBU	50.00
74	*** B1126208FA	TRIGGER GUARD, 12, MONSG	50.00
74	*** B111675003	TRIGGER GUARD, 20, GLOSS	50.00
74	*** B111675103	TRIGGER GUARD, 20, MATTE	50.00
74	*** B1116753F9	TRIGGER GUARD, 20, MODB	50.00
74	*** B1116753W7	TRIGGER GUARD, 20, MOINF	50.00
74	*** B1116753WT	TRIGGER GUARD, 20, MOTs	50.00
NS	B1126442AT	TRIGGER GUARD ASSEMBLY, 12, DEER	175.00
NS	B1126133AV	TRIGGER GUARD ASSEMBLY, 12, GLOSS (W/ HIGH POLISH CARRIER)	175.00
NS	B1126207AT	TRIGGER GUARD ASSEMBLY, 12, MATTE (W/ MATTE FINISH CARRIER)	175.00
NS	B1126448W7	TRIGGER GUARD ASSEMBLY, 12, MOINF	175.00
NS	B1126460W7	TRIGGER GUARD ASSEMBLY, 12, MOINF, DEER	175.00
NS	B1126423WT	TRIGGER GUARD ASSEMBLY, 12, MOTs	175.00
NS	B1126406AT	TRIGGER GUARD ASSEMBLY, 20, DEER	175.00
NS	B111618534	TRIGGER GUARD ASSEMBLY, 20, GLOSS (W/ HIGH POLISH CARRIER)	175.00
NS	B1126368F9	TRIGGER GUARD ASSEMBLY, 20, MODB	175.00
NS	B1126464W7	TRIGGER GUARD ASSEMBLY, 20, MOINF, DEER	175.00
75	B111603401	TRIGGER GUARD BUFFER	1.25
76	B111621702	TRIGGER GUARD BUSHING	3.75
78	B111621801	TRIGGER GUARD PIN RETAINER	1.25
77	B111621303	TRIGGER GUARD PIN, 12	2.50
77	B111621503	TRIGGER GUARD PIN, 20	2.50
73	B111620902	TRIGGER PIN / SEAR PIN	1.25

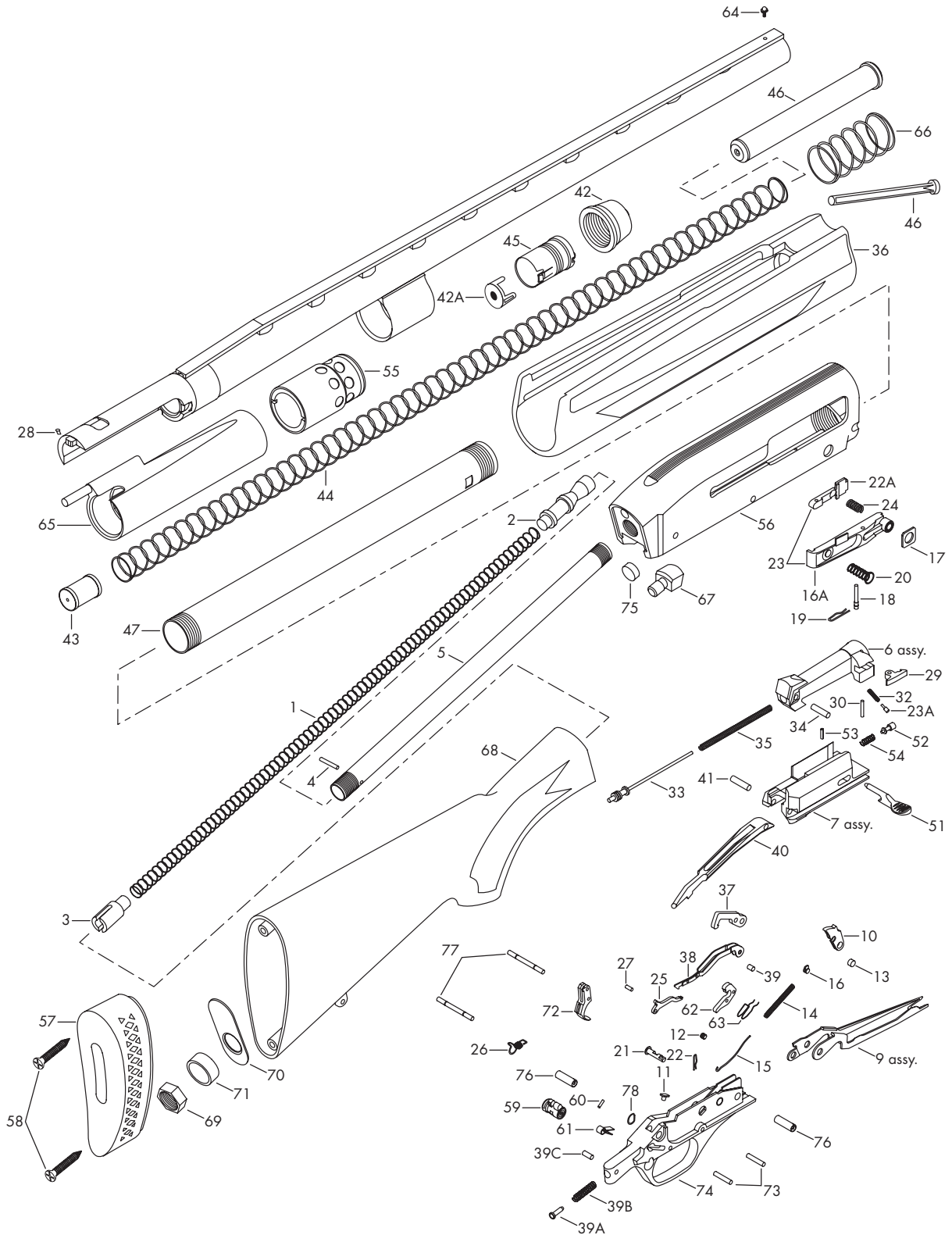
*Indicates part must be fitted by Browning Service Department or qualified gunsmith.
 ***Factory replacement only. Firearm must be returned. (DT) Denotes Dura-Touch Armor Coating
 +Part may be purchased only by holders of a current, valid Federal Firearms License.
 NOTE: Unless otherwise indicated, part is interchangeable between gauges/calibers.



12-20 Gauge Autoloading Shotgun

SILVER®

NOTE: WHEN ORDERING PARTS USE THE PART NUMBER AND NOT THE SCHEMATIC REFERENCE NUMBER.



Schematic is provided for parts identification only and should not be used as a guide to assemble guns.
CAUTION: Browning parts are not recommended for use in other guns though models may be similar. Inadequately fitted parts may be dangerous.