



22 Caliber Bolt-Action Rifle 2006 to Current

T-BOLT™

IMPORTANT: When ordering, list part number, part name, gun gauge/caliber and serial number. Please specify grade.
Prices F.O.B. point of shipment — subject to change without notice. Prices effective January 1, 2013.

REF. NO.	PART NO.	DESCRIPTION	MSRP (US\$)
1	B2569012	BARREL MOUNTING SCREW (3 REQUIRED)	\$7.00
2	B2569024	BARREL MOUNTING STAR WASHER (3 REQUIRED)	7.00
3	*+ B2569001	BARRELED RECEIVER, 17HMR, SPORTER	450.00
3	*+ B2569078	BARRELED RECEIVER, 17HMR, SPORTER, LH	450.00
3	*+ B2569062	BARRELED RECEIVER, 17HMR, VARMINT/TARGET	450.00
3	*+ B2569079	BARRELED RECEIVER, 17HMR, VARMINT/TARGET, LH	450.00
3	*+ B2569000	BARRELED RECEIVER, 22LR, SPORTER	450.00
3	*+ B2569076	BARRELED RECEIVER, 22LR, SPORTER, LH	450.00
3	*+ B2569061	BARRELED RECEIVER, 22LR, VARMINT/TARGET	450.00
3	*+ B2569077	BARRELED RECEIVER, 22LR, VARMINT/TARGET, LH	450.00
3	*+ B2569063	BARRELED RECEIVER, 22WMMR, SPORTER	450.00
3	*+ B2569080	BARRELED RECEIVER, 22WMMR, SPORTER, LH	450.00
3	*+ B2569064	BARRELED RECEIVER, 22WMMR, VARMINT/TARGET	450.00
3	*+ B2569081	BARRELED RECEIVER, 22WMMR, VARMINT/TARGET, LH	450.00
NS	* B2569071	BOLT ASSEMBLY, 17HMR / 22WMMR	350.00
NS	* B2569082	BOLT ASSEMBLY, 17HMR / 22WMMR, LH	350.00
NS	* B2569058	BOLT ASSEMBLY, 22LR	322.00
NS	* B2569083	BOLT ASSEMBLY, 22LR, LH	350.00
4	* B2569044	BOLT BODY	138.00
5	B2569014	BOLT HANDLE	27.75
6	B2569018	BOLT PIN	3.50
6A	* B2464520	BUTT PLATE, WOOD MODELS	8.25
NS	B2569067	BUTT PLATE, 17HMR / 22WMMR, COMPOSITE MODELS	40.00
NS	B2569068	BUTT PLATE, 22LR, COMPOSITE MODELS	40.00
6B	B2464524	BUTT PLATE SCREW (2 REQUIRED)	1.50
7	B2569002	COVER END	17.25
8	B2569019	CROSS BOLT	25.00
8	B2569084	CROSS BOLT, LH	25.00
9	* B2569045	EXTRACTOR, LEFT	5.75
9A	B2569047	EXTRACTOR PIN (2 REQUIRED)	3.00
10	* B2569046	EXTRACTOR, RIGHT	5.75
11	B2569048	EXTRACTOR SPRING	3.00
12	B2569021	FIRING PIN	27.00
12	B2569085	FIRING PIN, LH	27.00
12A	B2569049	FIRING PIN RETAINING BAND	3.00
13	B2569005	GEAR (2 REQUIRED)	10.50
14	B2569007	MAGAZINE EJECTION SPRING	3.50
15	B2569069	MAGAZINE FRAME, 17HMR / 22WMMR	14.00
15	B2569008	MAGAZINE FRAME, 22LR	14.00
16	B2569011	MAGAZINE FRAME PIN	3.50
17	B2569009	MAGAZINE FRAME SPRING	3.50

REF. NO.	PART NO.	DESCRIPTION	MSRP (US\$)
18	B2569010	MAGAZINE LATCH	\$10.50
19	B2569003	MAGAZINE SCREW	3.50
20	B2569006	MAGAZINE SPRING	3.50
21	B2569043	MAGAZINE STOP	17.25
22	B2569017	MAINSRING	3.50
23	B2569056	MAINSRING PLUNGER, FRONT	3.50
24	B2569057	MAINSRING PLUNGER, REAR	3.50
25	B2569015	MAINSRING SPRING BALL	3.50
NS	B2569016	MAINSRING SPRING PLUNGER (2 REQUIRED)	3.50
26	B2569026	RECEIVER PIN	3.50
27	B2569070	MAGAZINE BODY, 17HMR / 22WMMR	5.00
27	B2569004	MAGAZINE BODY, 22LR	5.00
28	* B2569034	SAFETY BLOCK	7.00
29	* B2569033	SAFETY LINK	7.00
30	* B2569039	SAFETY SEAR TRIGGER BAR PIN	7.00
31	* B2569027	SAFETY SELECTOR	10.50
32	* B2569025	SAFETY SPRING	3.50
33	* B2569038	SEAR	27.75
34	B2569036	SEAR BAR	14.00
35	B2569037	SEAR SPRING	7.00
36	B3578295	SLING EYELET, FRONT	11.50
37	B3578296	SLING EYELET, REAR	2.75
38	* B2569042	STOCK, SPORTER	160.00
38	* B2569065	STOCK, SPORTER, BLACK (DT)	125.00
38	* B2569074	STOCK, SPORTER, DIGITAL GREEN (DT)	125.00
38	* B2569090	STOCK, VARMINT SPECIAL, GREEN LAMINATE	400.00
38	* B2569091	STOCK, VARMINT SPECIAL, GRAY LAMINATE	400.00
38	* B2569060	STOCK, VARMINT/TARGET	250.00
38	* B2569066	STOCK, VARMINT/TARGET, BLACK (DT)	125.00
38	* B2569075	STOCK, VARMINT/TARGET, DIGITAL GREEN (DT)	145.00
38	* B2569073	STOCK, VARMINT/TARGET, GRAY LAMINATE	375.00
39	B2569050	STOCK PLATE, FRONT, 1.3MM	2.50
39	B2569051	STOCK PLATE, FRONT, 1.6MM	2.50
39	B2569052	STOCK PLATE, FRONT, 1.9MM	2.50
40	B2569053	STOCK PLATE, REAR, 1.3MM	2.50
40	B2569054	STOCK PLATE, REAR, 1.6MM	2.50
40	B2569055	STOCK PLATE, REAR, 1.9MM	2.50
40A	B3578814	TELESCOPE MOUNT FILLER SCREW	1.50
41	*+ B2569035	TRIGGER	34.50
42	* B2569028	TRIGGER HOUSING	31.25
43	* B2569029	TRIGGER HOUSING COVER	10.50
NS	* B2569031	TRIGGER HOUSING INSERT	10.50
NS	*+ B2569040	TRIGGER MECHANISM ASSEMBLY	138.00
44	* B2569030	TRIGGER SCREW	10.50
45	* B2569032	TRIGGER SPRING	3.50

*Indicates part must be fitted by Browning Service Department or qualified gunsmith.

***Factory replacement only. Firearm must be returned.

+Part may be purchased only by holders of a current, valid Federal Firearms License.

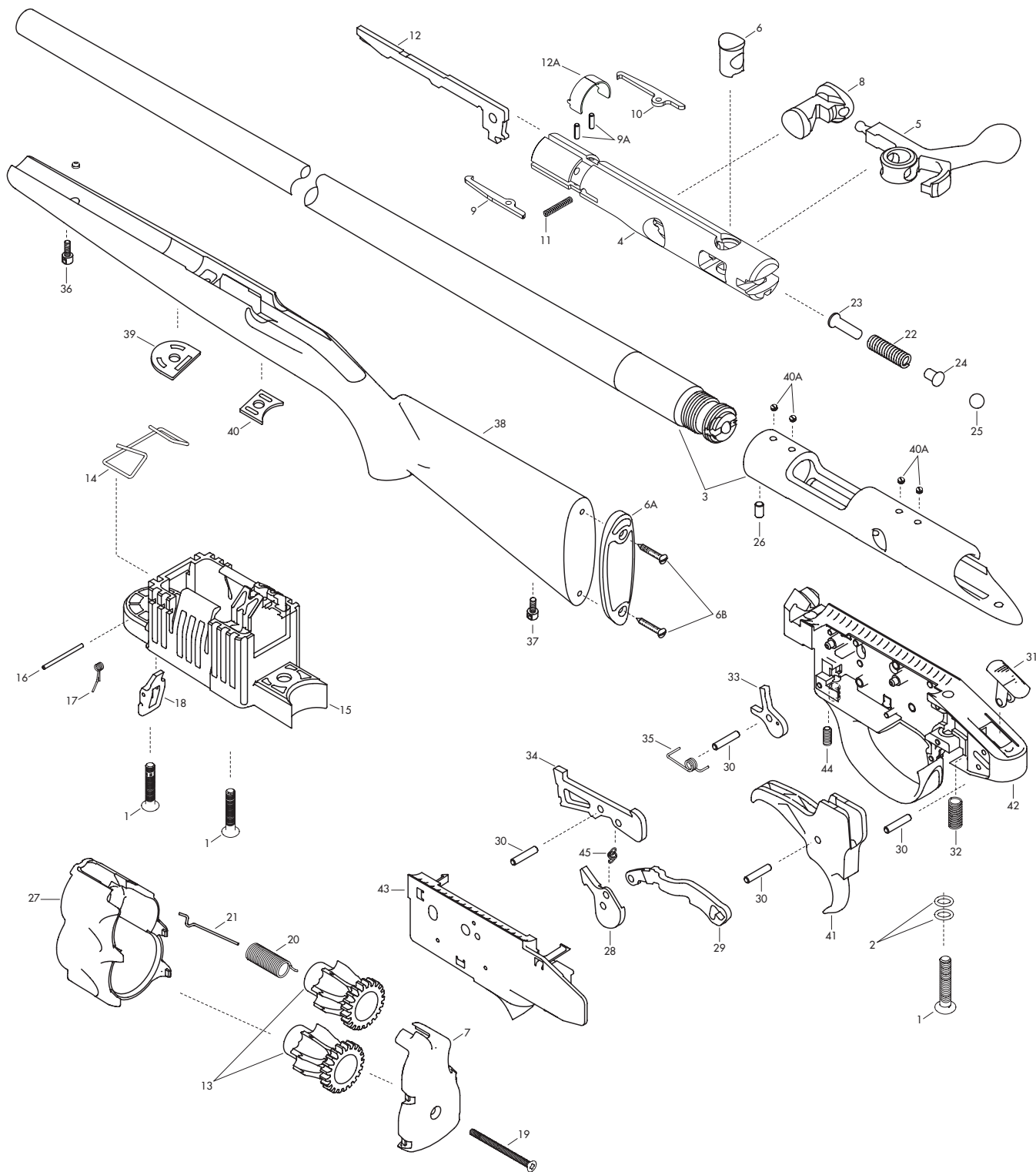
NOTE: Unless otherwise indicated, part is interchangeable between gauges/calibers.



**22 Caliber Bolt-Action Rifle
2006 to Current**

T-BOLT™

NOTE: WHEN ORDERING PARTS USE THE PART NUMBER AND NOT THE SCHEMATIC REFERENCE NUMBER.



Schematic is provided for parts identification only and should not be used as a guide to assemble guns.
CAUTION: Browning parts are not recommended for use in other guns though models may be similar.
Inadequately fitted parts may be dangerous.